

Table of contents

01. Technical specifications
02. Notes on radio systems
03. Electrical connections
04. First installation
05. Commands via radio
06. Memorization of a new transmitter
07. Delete a transmitter
08. RESET

01. Technical specifications

✓ Power supply:	da 12 Vdc a 24 Vdc	✓ Working frequency:	433.42 MHz
✓ Contact capacity:	5 A	✓ Storable transmitters:	15
✓ Dimensions:	45 x 33 x 25 mm	✓ Range (estimates):	100m outdoor, 20m indoor
✓ Weight:	40 g		
✓ Working temperature:	from -20 to +55 °C		
✓ IP protection:	IP20		

02. Notes on radio systems

Do not use radio systems in places with strong interference (for example, near police stations, airports, banks, hospitals). It is in any case advisable to carry out a technical inspection prior to installing any radio system in order to identify possible sources of interference.



Radio systems can be used where any disturbances or malfunction of the transmitter or receiver do not constitute a risk factor, or if such factor is eliminated using appropriate safety systems.

The presence of radio devices working at the same transmission frequency (433.42 MHz) may interfere with the radio receiver and reduce the range of the system, limiting functionality.

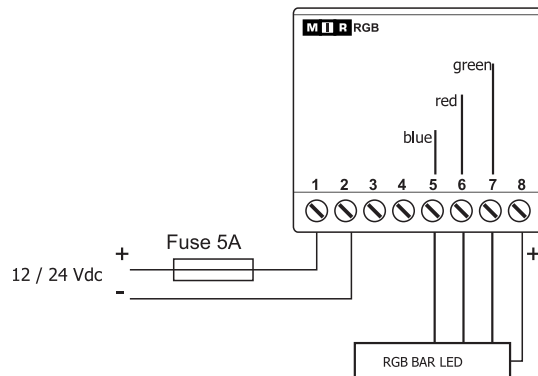
Disposal

At the end of the product life cycle, dispose of the device in compliance with local regulations. This product could contain substances that are harmful to human health and the environment: do not dispose of the product in domestic waste.



03. ELECTRICAL CONNECTIONS

- ✓ All the product installation, connection, programming and maintenance operations must be carried out only by a qualified and skilled technician, who must comply with laws, provisions, local regulations and the instructions given in this manual.
- ✓ Make the connections with the power switched off.
- ✓ Install the product carefully, using suitable tools.
- ✓ If there are several radio appliances in the same system, they must not be less than 1.5 m apart.
- ✓ Do not install the product near metal surfaces.
- ✓ Do not modify or replace parts without the manufacturer's permission.
- ✓ Do not pierce or tamper the box.
- ✓ The antenna cable carries line voltage. Do not cut the antenna cable as this would be dangerous. If the antenna cable is damaged, replace the product.
- ✓ The product has no protection against overloads or short circuits. Install a protective device in the power line that is appropriate for the load, such as a fuse of max. 5A.
- ✓ The product is designed to be inserted inside of junction boxes. The module does not provide any protection against water and only essential protection for contact with solids.



03.1 POWER SUPPLY

The MIR RGB module can be powered from the minimum voltage of 12 Vdc to the maximum voltage of 24 Vdc. The supply voltage must be applied to terminals 1 (+) and 2 (-). Failure to observe polarity can damage the module in an irreversible way.

03.2 HOW TO CONNECT THE LED BAR

The LED bar must be connected to terminals 5 (blue), 6 (red), 7 (green), 8 (+). Each module must be loaded to a maximum of 5A.

Dear Customer,
Thank you for purchasing a MASTER S.p.A. product. This guide contains all the information you will need concerning the use of this product. Read the instructions carefully and keep them for further consultation.

The MIR RGB module is designed specifically to control a RGB LED bar operating at 12/24 Vdc.

All other use beyond the field defined by MASTER S.p.A. is forbidden. This, as well as the breach of the instructions given in this guide, shall release MASTER S.p.A. from any liability and shall annul the product warranty.

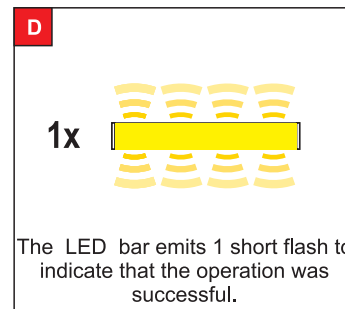
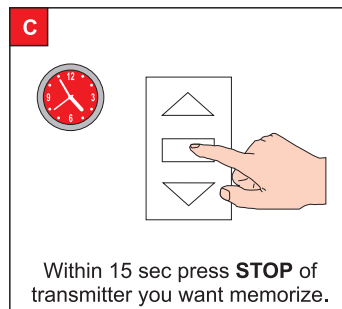
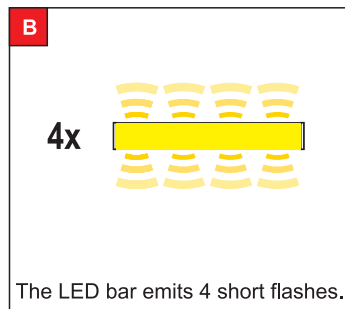
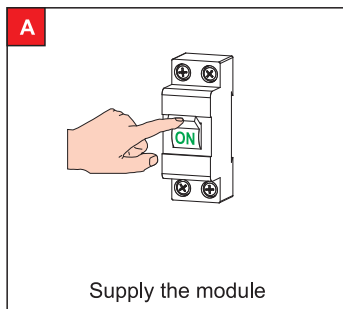


This product is compatible with Arco and equivalent transmitters.

Before starting the programming procedure, read the instruction manual of the transmitter.

In the following description the transmitter is represented in a generic way.

04. FIRST INSTALLATION



05. COMANDS VIA RADIO

- UP:** if the LED bar is off turns on
if the LED bar is on, the LEDs change color (see 5.1)
- DOWN:** if the LED bar is on turns off
- LEFT ORIENTATION**⁽¹⁾: reduce the light intensity (see 5.2)
- RIGHT ORIENTATION**⁽²⁾: increase the light intensity (see 5.2)
- STOP + FOR ME**⁽³⁾: if the LED bar is lit, stores the color that the bar has to take at power ON
- FOR ME**⁽⁴⁾: light effects (see 5.4)

Notes:

- ✓ (1) if the transmitter doesn't has the LEFT ORIENTATION button see ORIENTATION function in the transmitter manual.
- ✓ (2) if the transmitter doesn't has the RIGHT ORIENTATION button see ORIENTATION function in the transmitter manual.
- ✓ (3) if the transmitter doesn't has the FOR ME button see INTERMEDIATE LIMIT SWITCH (to memorize) function in the transmitter manual.
- ✓ (4) if the transmitter doesn't has the FOR ME button see INTERMEDIATE LIMIT SWITCH (to recall) function in the transmitter manual.

05.1. HOW TO CHANGE COLOR

When the bar is turned ON, you can change the color emitted by the bar by briefly pressing UP of the transmitter. The colors available are: white, red, yellow, blue, pink, green, blue, orange, purple (*).

(*) The actual colors displayed may differ slightly from those listed. The LED bar used can affect the colors actually displayed.

05.2. HOW TO CHANGE LUMINOSITY

When the bar is ON, to change the brightness press LEFT ORIENTATION or RIGHT ORIENTATION until you reach the desired level. To go from minimum to maximum and back takes about 5 seconds.

05.3. COLOR AT POWER ON

If the bar is OFF, by pressing UP button the bar is turned ON. When you turn ON the bar, emitted color is white (default). If you want a different color at power ON, do the following operation:

- ✓ Press briefly UP to select the desired color.
- ✓ If you want to change the brightness, press and hold LEFT ORIENTATION or RIGHT ORIENTATION until you get the desired brightness.
- ✓ Press STOP and FOR ME together. Hold down both buttons for about 2 seconds until you see two flashes to indicate that the parameter is stored.

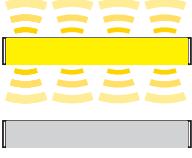
05.4. LIGHT EFFECTS (not available with FLUTE and KUADRO)

It's possible to activate one of the following plays of light: colors, flash, strobe, fade, smooth.

- ✓ To activate the effect "colors" press FOR ME.
- ✓ To select the following play of lighth, press FOR ME.
- ✓ To exit from the plays of light press UP or STOP. Press DOWN if you want to turn off the bar.

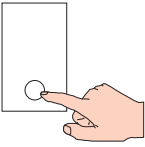
06. MEMORIZATION OF A NEW TRANSMITTER

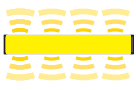
A



If is lit, turn off the LED bar

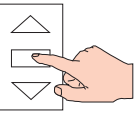
B



2x 


Press for approximately 5 seconds the PROG button of a transmitter already memorized. The LED bar emits 2 short flashes


C



Within 15 sec press **STOP** of transmitter you want memorize

D



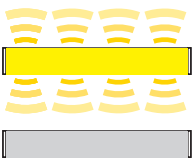
1x 

The LED bar emits 1 short flash to indicate that the operation was successful

NOTE:
The module can store up to 15 radio codes. The "out of memory" condition is indicated by 4 flashes.

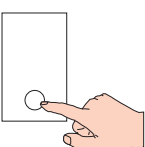
07. DELETION OF A TRANSMITTER


A



If is lit, turn off the LED bar


B



2x 


Press for approximately 5 seconds the PROG button of a transmitter already memorized. The LED bar emits 2 short flashes


C



Within 15 sec press **STOP** of transmitter you want delete

D



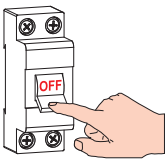
1x 

The LED bar emits 1 short flash to indicate that the operation was successful

NOTE:
If the module has stored a single hand-held transmitter, it can't be deleted (the non-cancellation is indicated by 4 flashes).

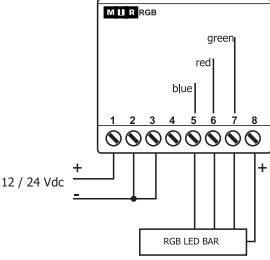
08. RESET

A



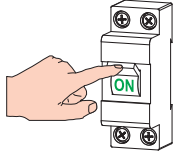
Switch OFF the power supply

B



Connect as in figure


C




Switch ON the power supply

D

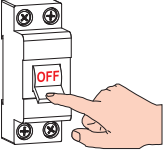
Wait 30 seconds

2x 



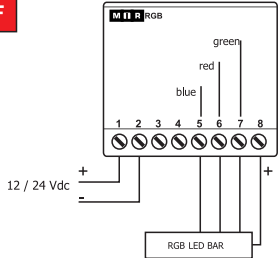
Wait 30 seconds until the LED bar emits two short flashes, to indicate that factory conditions are restored

E



Switch OFF the power supply and wait 20 seconds

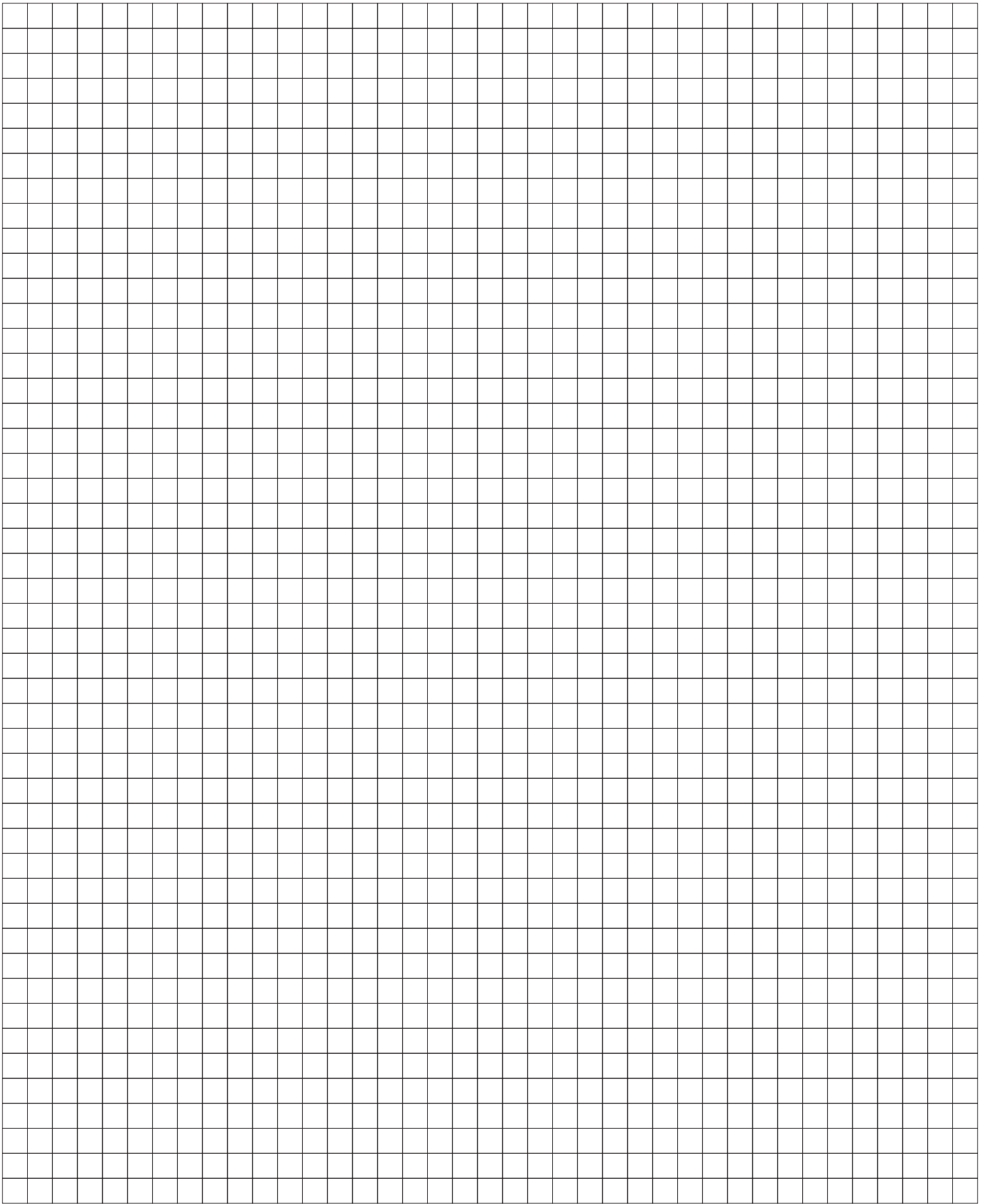
F



Restore the connections

G

Reinstall the module following the procedure described in section 04. FIRST INSTALLATION



All products and technical specifications given in this document are subject to variation without notice.
Unless previously and specifically authorised by the manufacturer, the device must be used exclusively with transmitters produced by the same manufacturer.
The manufacturer shall not be liable for damage resulting from improper, incorrect or unreasonable use.

MASTER S.p.A. declares that the device complies with the fundamental requirements and other provisions of Directive 1999/5/EC. The declaration of conformity can be downloaded from the website <http://www.mastermotion.eu/en-US/download> in the Product Conformity section.

